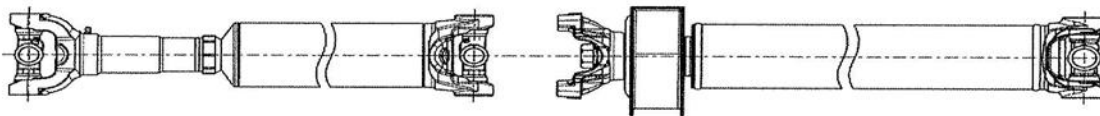


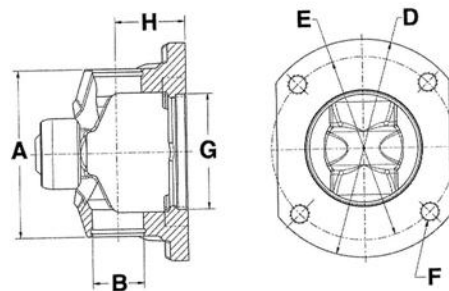
PEM Driveshaft CV Order Form

636 234-0975 Fax 636 234-0982



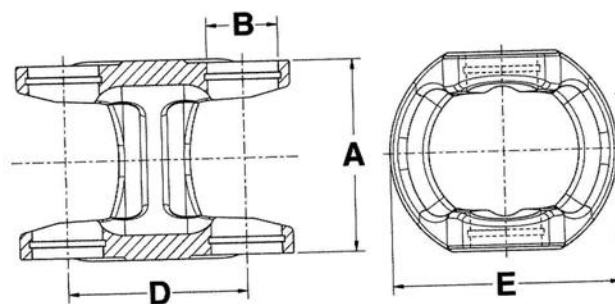
FLANGE

D Swing Diameter _____
 E Bolt Circle _____
 F Hole Size _____ # of Holes _____
 G Pilot Diameter _____
 H Flange Face to Centerline _____
 U-Joint Size/Series _____
 Stud Socket Dimension _____
PART # _____



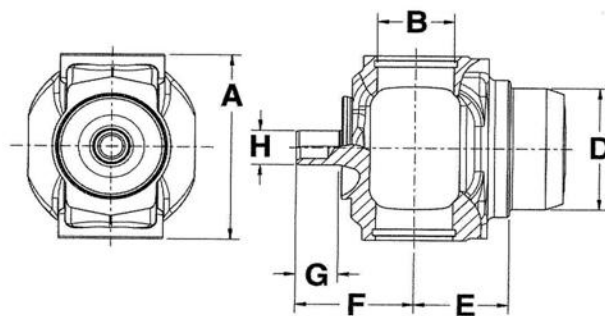
CVH YOKE

D Center-Center _____
 E Swing Diameter _____
 U-Joint Series _____
 Joint Angle _____
PART # _____



BALL STUD TUBE WELD YOKE

D Butt Diameter _____
 E Centerline to Point of Weld _____
 F Centerline to End of Ball Stud _____
 G Ball Stud Length _____
 H Ball Stud Diameter _____
 Inside or Outside Lock Up _____
 Tubing Diameter & Wall _____
 Joint Angle _____
 U-Joint Series _____
PART # _____



Name _____	Phone Number _____
Address _____	email _____
City _____ State _____ Zip _____	Signature _____

ALL ORDERS MUST BE ACCOMPANIED WITH COMPLETED DRIVESHAFT ORDER FORM