

PEM Driveshaft Order Form

636 629-6200 Fax 636 629-6207

Figure 1 driveshaft

(A) _____

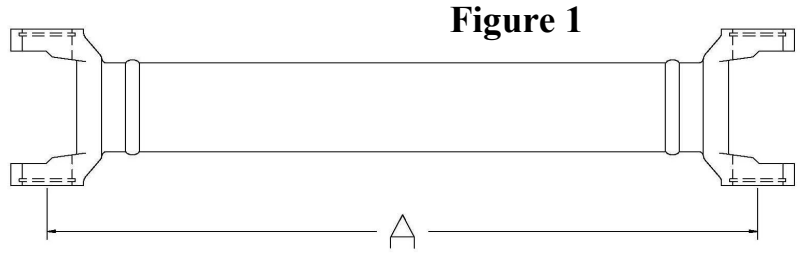


Figure 1

Figure 2

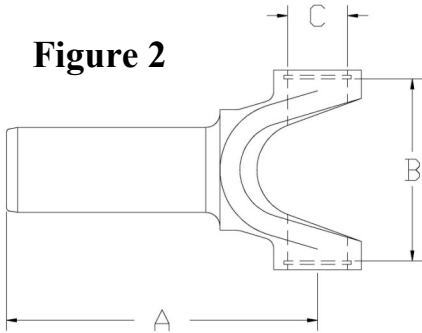


Figure 3

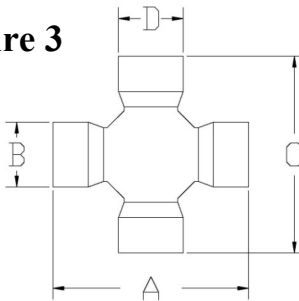


Figure 4

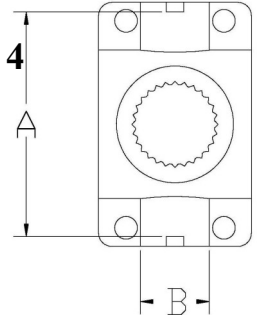


Figure 2 slip yoke

(A) _____ (B) _____

(C) _____ Spline _____

Option: Chrome Moly _____

Figure 3 u joint

(A) _____ (B) _____

(C) _____ (D) _____

Option: Greasable ___ Solid cross _____

Figure 4 differential yoke

(A) _____

(B) _____

DOM Steel x Wall thickness

- 2" OD x .083" wall _____
- 2" OD x .120" wall _____
- 2.5" OD x .083" wall _____
- 3" OD x .083" wall _____
- 3.5" OD x .083" wall _____
- 4" OD x .083" wall _____

Chrome Moly Steel x Wall thickness

- 2" OD x .065" wall _____
- 2" OD x .083" wall _____
- 3" OD x .083" wall _____
- 3.5" OD x .083" wall _____

Option: JBRC Moly Weld Yokes
available in 3 & 3.5" _____

Aluminum x Wall thickness

- 3" OD x .125" wall _____
- 3.5" OD x .114" wall _____
- 4" OD x .087" wall _____

TIPS: The vehicle must be measured as it is to operate; DO NOT measure with the suspension hanging.

Fill out all dimensions on the order to get the correct drive shaft with the correct yokes.

Grease u-joints after you install the driveshaft.

Do not over tighten u-bolts. Torque Specs: Cap Size 1 1/16" & 1 1/8" 15-17 ft/lbs.

1 3/16" 15-25 ft/lbs. 1 3/8" 33-37 ft/lbs.

Name _____ Phone Number _____
 Address _____ email _____
 City _____ State _____ Zip _____ Please Note: Estimates are an approximation. Estimates are subject to change based on the complexity of the repair, part availability, and any unforeseen variables. Signature _____

ALL ORDERS MUST BE ACCOMPANIED WITH COMPLETED DRIVESHAFT ORDER FORM